

DH-IPC-A35

3MP HD A series Wi-Fi PT Camera



Features

- 1/3" 3MP CMOS
- H.264&MJPEG dual-stream encoding
- Max 20fps@3MP(2304×1296)
- 0~355° Pan range, 90°Tilt range, 25 presets
- IR distance 10m
- Easy4ip cloud support
- Wi-Fi support
- Micro SD card, up to 128GB
- Built-in Mic & Speaker
- DC5V2A

DH-IPC-A35

Technical Specifications

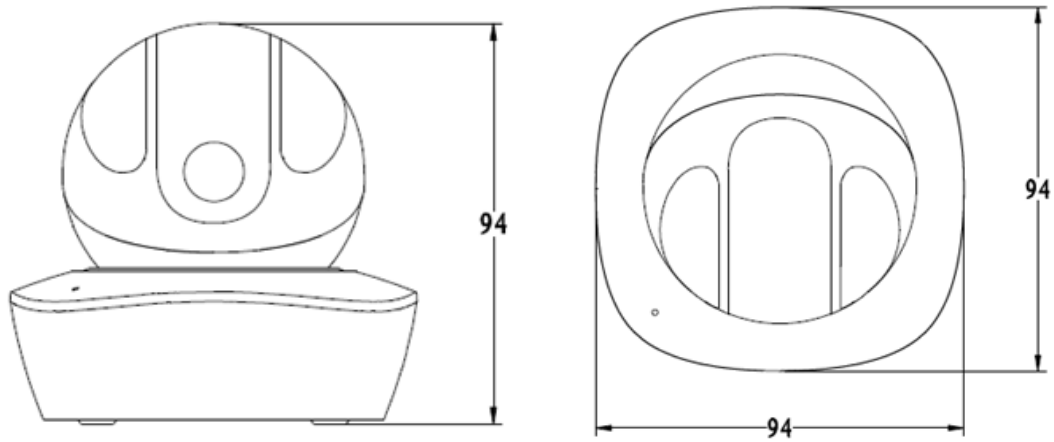
Model	DH-IPC-A35	
Camera		
Image Sensor	1/3" 3Megapixel CMOS	
Effective Pixels	2304(H)x1536(V)	
Scanning System	Progressive	
Electronic Shutter Speed	Auto/Manual, 1/3(4)s~1/30000s	
Min. Illumination	0.01lux/F2.0(color),0lux/F2.0(IR on)	
S/N Ratio	More than 50dB	
Video Output	N/A	
Camera Features		
Max. LEDs Length	10m	
Day/Night	Auto(ICR) / Color / B/W	
Backlight Compensation	BLC / HLC / DWDR	
White Balance	Auto/Manual	
Gain Control	Auto/Manual	
Noise Reduction	3D	
Lens		
Focal Length	3.6mm	
Max Aperture	F2.0	
Focus Control	Manual	
Angle of View	H:77°	
Lens Type	Fixed Lens	
Mount Type	Board-in Type	
PT		
Pan/ Tilt Range	Pan: 0°~355°; Tilt: 0°~90°	
Preset Speed	100°/s	
Preset	25	
Tour	8	
Video		
Compression	H.264/H.264H/H.264B/MJPEG	
Resolution	3MP/1080P/720P/VGA/QVGA	
Frame Rate	Main Stream	3MP(1~20fps)/1080P/720P(1~30fps)
	Sub Stream	VGA/QVGA(1~30fps)
Bit Rate	H.264: 32Kbps~8192Kbps	
Audio		
Compression	G.711A;G.711Mu;AAC	
Interface	Built-in Mic & Speaker	
Network		
Ethernet	RJ-45 (10/100Base-T)	
Wi-Fi	Wi-Fi(IEEE802.11b/g/n) 50m(open field)	
Protocol	IPv4/IPv6, HTTP, TCP/IP, UDP, UPnP, ICMP, IGMP, RTSP, RTP, SMTP, NTP,	

DH-IPC-A35

	DHCP, DNS,FTP, QoS,
Compatibility	ONVIF CGI
Max. User Access	20 users
Smart Phone	iPhone, iPad, Android, Windows Phone
Auxiliary Interface	
Memory Slot	Micro SD, up to 128GB
RS485	N/A
Alarm	N/A
PIR Sensor Range	N/A
General	
Power Supply	DC 5V2A
Power Consumption	<8.5W
Working Environment	-10°C~+45°C, Less than 95%RH
Ingress Protection	N/A
Vandal Resistance	N/A
Dimensions(W×D×H)	94mm x 94mm x 94mm
Weight	0.22Kg(0.58Kg with package)

DH-IPC-A35

Dimensions (mm)



Dahua Technology Co., Ltd.

1199 BinAn Road, Binjiang District, Hangzhou, China

Tel: +86-571-87688883

Fax: +86-571-87688815

Email: overseas@dahuatech.com

www.dahuasecurity.com

*Design and specifications are subject to change without notice.

© 2016 Dahua Technology Co., Ltd.