

IPC-B141H 4 MP EXIR Fixed Bullet Network Camera



- 1/3" Progressive Scan CMOS
- 2560 × 1440@20fps
- 2.8/4 mm fixed lens
- Color: 0.028 Lux @ (F2.0, AGC ON)
- H.265, H.265+, H.264, H.264+
- BLC/HLC/3D DNR/ROI
- IR range: Up to 30 m
- 3-Axis adjustment
- IP67

Specifications

| Camera | |
|--------------------|--|
| Image Sensor | 1/3" Progressive Scan CMOS |
| Min. Illumination | Color: 0.028 Lux @ (F2.0, AGC ON) |
| Shutter Speed | 1/3 s to 1/100,000 s |
| Slow Shutter | Yes |
| Day & Night | IR Cut Filter |
| WDR | DWDR |
| Angle Adjustment | Pan: 0° to 360°, tilt: 0° to 180°, rotate: 0° to 360° |
| Lens | |
| Lens Type | Fixed lens, 2.8/4 mm |
| Aperture | F2.0 |
| FOV | 2.8 mm, horizontal FOV 100°, vertical FOV 55°, diagonal FOV 117° 4 mm, horizontal FOV 77°, vertical FOV 42°, diagonal FOV 88° |
| Lens Mount | M12 |
| Illuminator | |
| IR Range | Up to 30 m |
| Wavelength | 850 nm |
| Video | |
| Max. Resolution | 2560 × 1440 |
| Main Stream | 50Hz: 20fps (2560 × 1440, 2304 × 1296, 1920 × 1080, 1280 × 720) 60Hz: 20fps (2560 × 1440, 2304 × 1296, 1920 × 1080, 1280 × 720) |
| Sub-Stream | 50Hz: 20fps (640 × 480, 640 × 360, 320 × 240) 60Hz: 20fps (640 × 480, 640 × 360, 320 × 240) |
| Video Compression | Main stream: H.265+/H.264+/H.265/H.264 Sub-stream: H.265/H.264/MJPEG |
| H.264 Type | Baseline Profile/Main Profile |
| H.265 Type | Main Profile |
| Video Bit Rate | 32 Kbps to 8 Mbps |
| Smart Feature-Set | |
| Basic Event | Motion detection, video tampering alarm, exception (illegal login) |
| Linkage Method | Upload to FTP, notify surveillance center, send email |
| Region of Interest | 1 fixed region for main stream |
| Image | |
| Image Enhancement | BLC, HLC, 3D DNR |
| Image Setting | Saturation, brightness, contrast, sharpness, AGC and white balance adjustable by client software or web browser |
| Day/Night Switch | Day/Night/Auto/Schedule |
| S/N Ratio | > 50dB |

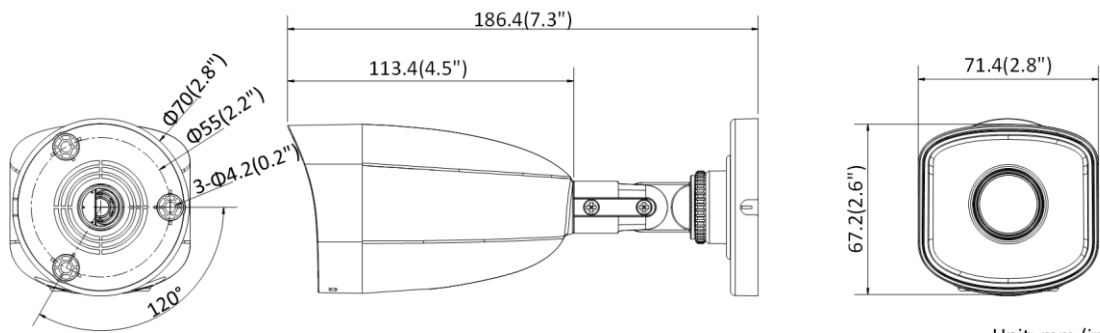
| Network | |
|----------------------------------|--|
| Protocols | TCP/IP, ICMP, HTTP, HTTPS, FTP, DHCP, DNS, DDNS, RTP, RTSP, NTP, UPnP, SMTP, IGMP, 802.1X, QoS, IPv6, UDP, Bonjour |
| API | ONVIF (PROFILE S), ISAPI, SDK |
| Security | Password protection, complicated password, IP address filter, Watermark, HTTPS encryption, basic and digest authentication for HTTP/HTTPS, WSSE and digest authentication for ONVIF, 802.1X authentication (EAP-MD5) |
| Simultaneous Live View | Up to 6 channels |
| User/Host | Up to 32 users, 3 levels: administrator, operator and user |
| Client | HiLookVision PC Client, HiLookVision App |
| Web Browser | IE8+, Chrome 31.0-44, Firefox30.0-51, Safari8.0+ |
| Interface | |
| Communication Interface | 1 RJ45 10M/100M self-adaptive Ethernet port |
| General | |
| General Function | Anti-flicker, heartbeat, mirror, privacy mask |
| Reset | Reset via web browser and client software |
| Startup and Operating Conditions | -30 °C to 60 °C (-22 °F to 140 °F), humidity 95% or less (non-condensing) |
| Storage Conditions | -30 °C to 60 °C (-22 °F to 140 °F), humidity 95% or less (non-condensing) |
| Power Supply | 12 VDC ± 25%, Φ 5.5 mm coaxial power plug, reverse polarity protection; PoE (802.3af, class 3) |
| Power Consumption and Current | 12 VDC, 0.35 A, max. 4.2 W; PoE (802.3af, 36 V to 57 V), 0.2 A to 0.1 A, max. 4.2 W |
| Material | Front cover: metal, back cover: plastic |
| Dimensions | Camera: 67.2 × 71.4 × 186.4 mm (2.6" × 2.8" × 7.3") With package: 216 × 121 × 118 mm (8.5" × 4.8" × 4.6") |
| Weight | Camera: approx. 280 g (0.6 lb.) With package: approx. 501 g (1.1 lb.) |
| Approval | |
| EMC | 47 CFR Part 15, Subpart B; EN 55032: 2015, EN 61000-3-2: 2014, EN 61000-3-3: 2013, EN 50130-4: 2011 +A1: 2014; AS/NZS CISPR 32: 2015; ICES-003: Issue 6, 2016; KN 32: 2015, KN 35: 2015 |
| Safety | UL 60950-1, IEC 60950-1:2005 + Am 1:2009 + Am 2:2013, EN 60950-1:2005 + Am 1:2009 + Am 2:2013, IS 13252(Part 1):2010+A1:2013+A2:2015, IEC/EN 60950-1 |
| Chemistry | 2011/65/EU, 2012/19/EU, Regulation (EC) No 1907/2006 |
| Protection | Ingress protection: IP67 (IEC 60529-2013) |

* Listed resolutions are only selectable options. It does not mean that all streams can work at their maximum resolution at the same time.

Available Model

IPC-B141H (2.8/4 mm)

Dimension



Unit: mm (inch)

Accessory



DS-1280ZJ-XS
Junction Box