

B50TURBOM(W)

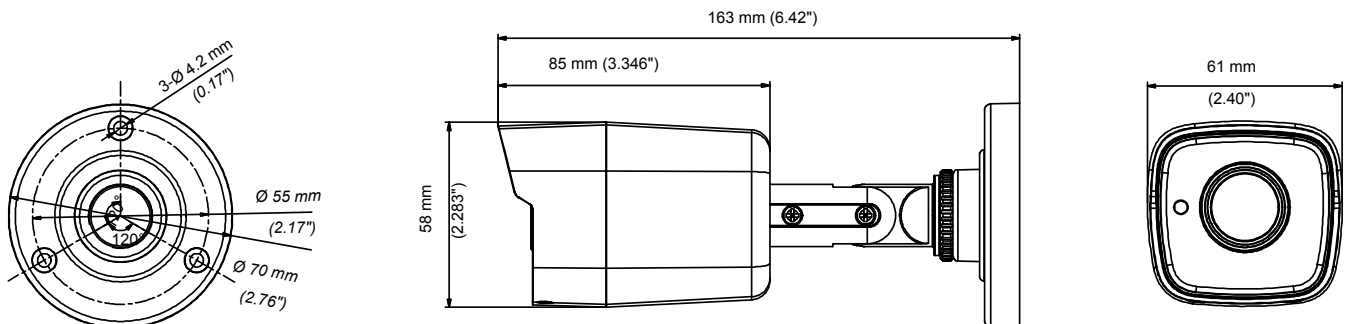
5MP TVI BULLET CAMERA



Key Features

- 5 MP high performance CMOS
- 2560 × 1944 resolution
- 2.8 mm fixed lens
- EXIR 2.0, smart IR, up to 20 m IR distance
- OSD menu, 2D DNR, DWDR
- 4 in 1 video output (switchable TVI/AHD/CVI/CVBS)
- IP67
- Up the coax (H-C)

Dimension



Specification

Camera	
Image Sensor	5 MP CMOS image sensor
Resolution	2560 (H) × 1944 (V)
Min. Illumination	Color: 0.01 Lux @ (F1.2, AGC ON), 0 Lux with IR
Shutter Time	NTSC: 1/30 s to 1/50, 000 s
Lens	2.8 mm fixed focal lens
Horizontal Field of View	85.5°(2.8mm)
Lens Mount	M12
Day & Night	IR cut filter
Angle Adjustment	Pan: 0°to 360°; Tilt: 0°to 180°; Rotate: 0°to 360°
Synchronization	Internal synchronization
Frame Rate	NTSC: 5MP@20fps, 4 MP@30fps, 1080p@30fps
Menu	
AGC	Support
D/N Mode	Auto/Color/BW (Black and White)
White Balance	ATW/MWB
BLC	Support
DWDR (Digital Wide Dynamic Range)	Support
Language	English
Functions	Brightness, Sharpness, DNR , Mirror, Smart IR
Interface	
Video Output	1 HD analog output
Switch Button	TVI/AHD/CVI/CVBS
General	
Operating Conditions	-40 °C to 60 °C (-40 °F to 140 °F), humidity: 90% or less (non-condensation)
Power Supply	12 VDC ±25%
Power Consumption	Max. 4.3 W
Protection Level	IP67
Material	Metal
IR Range	Up to 20 m
Communication	Up the coax, Protocol: H-C (TVI output)
Dimensions	58 mm × 61 mm × 163 mm (2.28" × 2.40" × 6.42")
Weight	Approx. 350 g (0.77 lb.)

Accessory



XM-32B
Junction Box

